



TO: Prospective Bidders

DATE: January 31, 2023

SUBJECT: Request for Quotes for Movin Cool Climate Pro D18 Spot Cooler
RFQ 23-001

You are invited to submit quotes for specified Spot Cooler to be purchased by Barrow County School System as funding permits.

Included herein are the technical specifications and bidding instructions.

The written requirements contained in this Request for Quotes (RFQ) shall not be changed or superseded except by written notice from Barrow County School System. Failure to comply with the written requirements for this RFQ may result in disqualification of the submitted bid.

To be eligible for consideration, bids shall be presented in accordance with the instructions of this solicitation and within the time frame specified. It shall be the responsibility of the bidder to meet all specifications and guidelines set forth herein, in addition to all applicable laws and regulations. Barrow County School System, at its discretion, determines the criteria and process whereby bids are reviewed by quote(s) and awarded. No damages shall be recoverable by any challenger as a result of these determinations or decisions. Barrow County School System reserves the right to reject any or all bids; waive any technicalities/informalities or irregularities; make modifications or specifications; and award any (or all) of the contract in a manner which is in the best interest of Barrow County School System.

Barrow County School System will leverage an electronic sourcing tool known as Bonfire to administer this RFQ and all bidder quotes or bid packages must be submitted electronically. All questions must be asked through Bonfire and will be answered through Bonfire. (<https://barrow-k12-ga.bonfirehub.com/projects/85221/details>) This solicitation closes February 14, 2023 at 1:00 PM.

After registration as a vendor, the offerer will find the heading 'Requested Information', then open Pricing Sheet and complete the pricing information. The successful offerer must be able to deliver 10 Spot Coolers as requested or their equal to Barrow County School System by June 30, 2023. Price must be valid for 45 days after RFQ closes.


Requested item:

10 Spot Coolers equal to Movin Cool Climate Pro D18 by SpotCooler with Nozzle application accessories included with each unit

PERFORMANCE

Ambient Operating Range	65-95°F
Cooling Capacity	15,000 btu/h
Heating Capacity	13,100 btu/h
Supply Airflow h/m/l cfm	540/440/350
Max Supply/Cold Duct Length	25 feet
Exhaust Airflow h/m/l cfm	825 (h)
Max Hot/Exhaust Duct Length	100 feet
Sound Level High (w/out duct)	66 dB

APPLICATION

Voltage @ 60Hz	115
Recommended Breaker Size (A)	20
Amps (A)	
Cooling	13.8
Heating	11.7
Min/Max Voltage	104-127
Power Cord Gauge	12AWG-3 Core
Power Cord Length	10 feet
Plug Receptacle Requirement 	NEMA 5-20P



MovinCool® Climate Pro® D Series

MovinCool Climate Pro D18




FAMILY FEATURES

- Sleek, modern design
- Wrap around bumper system protects against scratches & dents
- Built-in exhaust flanges with protective grille
- Condensate tank hidden behind easy-open access door
- Convenient cord storage cubby on rear of unit
- Connectivity enabled

PERFORMANCE

Ambient Operating Range	65-95°F
Cooling Capacity	15,000 btu/h
Heating Capacity	13,100 btu/h
Supply Airflow h/m/l cfm	540/440/350
Max Supply/Cold Duct Length	25 feet
Exhaust Airflow h/m/l cfm	825 (h)
Max Hot/Exhaust Duct Length	100 feet
Sound Level High (w/out duct)	66 dB

APPLICATION

Voltage @ 60Hz	115
Recommended Breaker Size (A)	20
Amps (A)	
Cooling	13.8
Heating	11.7
Min/Max Voltage	104-127
Power Cord Gauge	12AWG-3 Core
Power Cord Length	10 feet
Plug Receptacle Requirement 	NEMA 5-20P

SHIPPING/LOGISTICS/ HANDLING/QUALITY

	Shipping	Out of Carton
Weight (lbs.)	236	198
Height (in.)	58	51
Width (in.)	26	22
Depth (in.)	31	27

RoHS Restriction of Hazardous Substances Standard compliant
UL 60335 and UL 60335-2-40 compliant

A Carrier Company

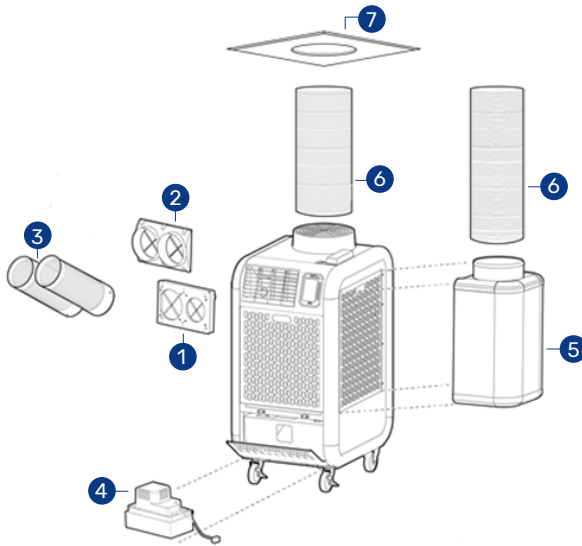


spot-coolers.com
800-367-8675

©2021 Carrier. All Rights Reserved.

ACCESSORIES

NOZZLE APPLICATION

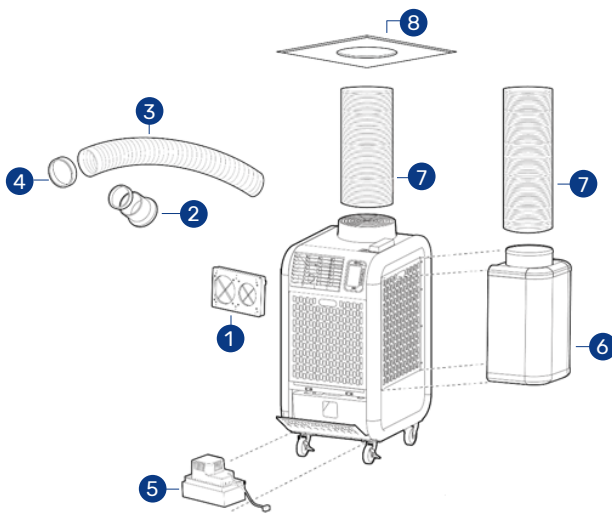


#	Part No.	Description
1	481769-0280	5" Two Hole Base Plate
2	481170-0480	5" Two Hole Quick Connect Flange
3	484209-0480	5" Quick Connect Nozzle**
4	484789-0210	Condensate Pump, 115v
5	484350-1350	Plenum Condenser Air
6	481744-0062	12" Self-Supported Duct
7	484490-1030	Ceiling Tile Kit, 12-in hole, metal
*	LA146373-8280	Ceiling Tile Kit, 12-in hole, plastic
*	LAY45771-0060	Flexible Air Duct, 8' by 12"
*	HDK-12	2' x 2' Ceiling Tile with 8' of 12" Flex Duct

* Not Pictured

** Sold Individually

DUCT HOSE APPLICATION



#	Part No.	Description
1	481769-0280	5" Two Hole Base Plate
2	481170-0450	5" Flange Ext. Duct**
3	481744-0090	5" Self-Supported Duct**
4	481851-0200	5" Trim Ring**
5	484789-0210	Condensate Pump, 115v
6	484350-1350	Plenum Condenser Air
7	481744-0062	12" Self-Supported Duct
8	484490-1030	Ceiling Tile Kit, 12-in hole, metal
*	LA146373-8280	Ceiling Tile Kit, 12-in hole, plastic
*	LAY45771-0060	Flexible Air Duct, 8' by 12"
*	HDK-12	2' x 2' Ceiling Tile with 8' of 12" Flex Duct

* Not Pictured

** Sold Individually